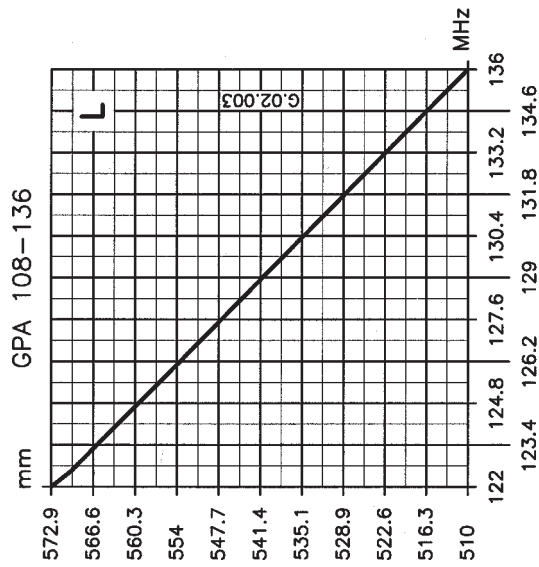
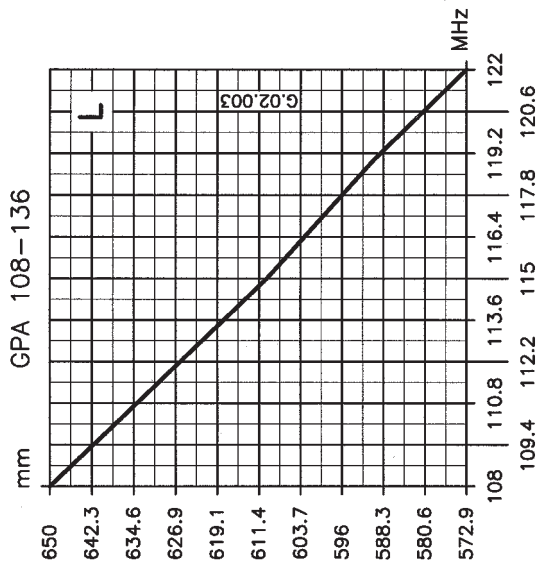
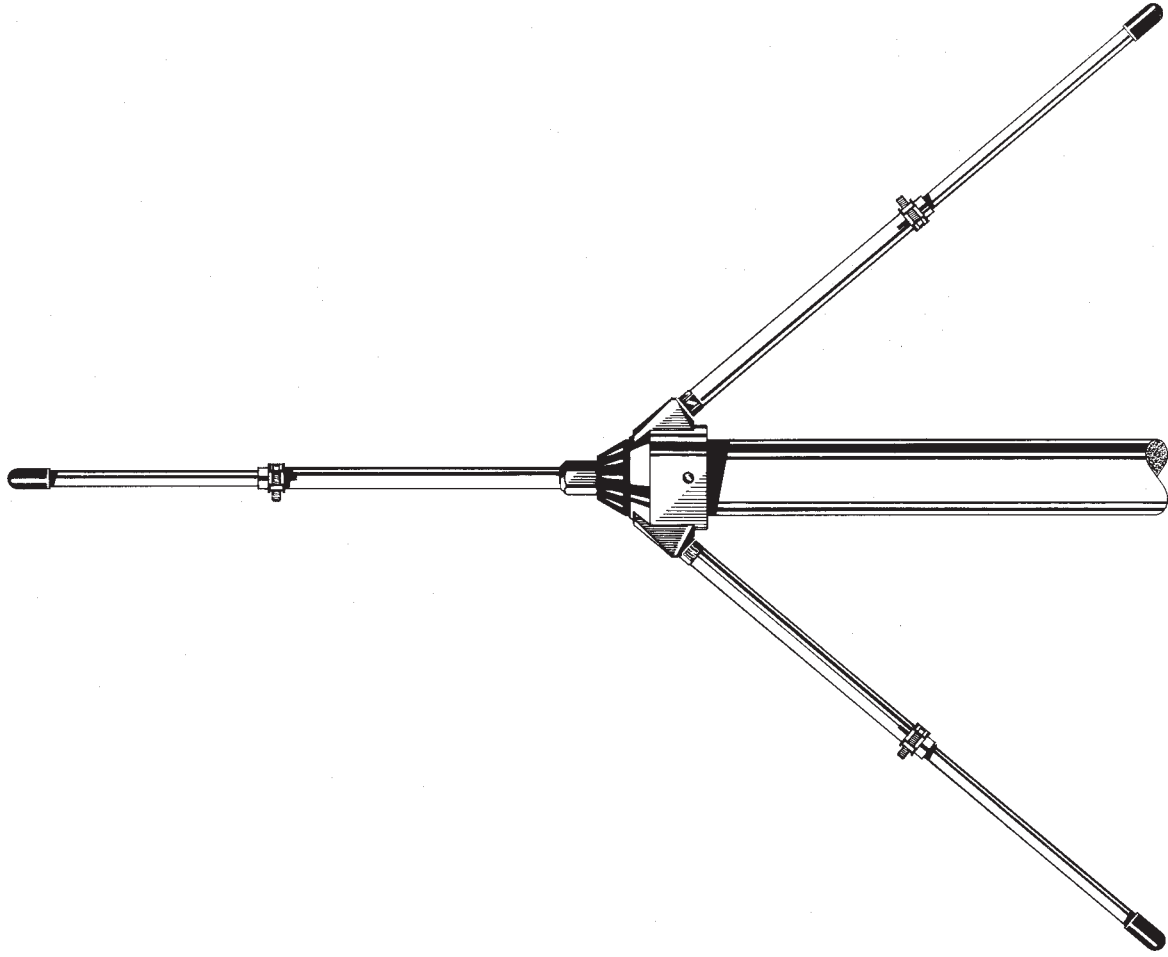


**TYPICAL TUNING DIAGRAMS**



**Model GPA 108-136**  
VHF Ground Plane Antenna 108-136 MHz

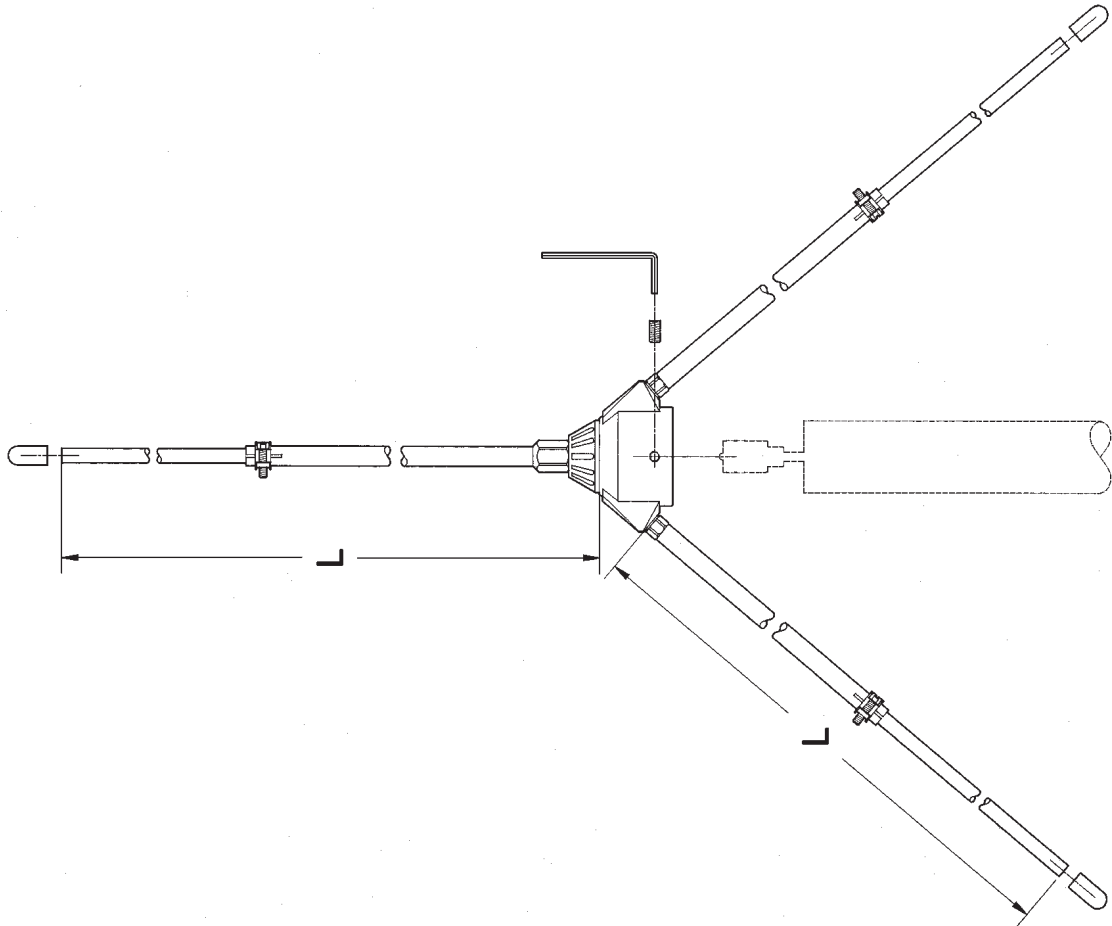


**Installation Manual**

**NOTE:**

- It is recommended to use the curves as a guide and fine-tune using an SWR-Meter.

## MOUNTING INSTRUCTIONS



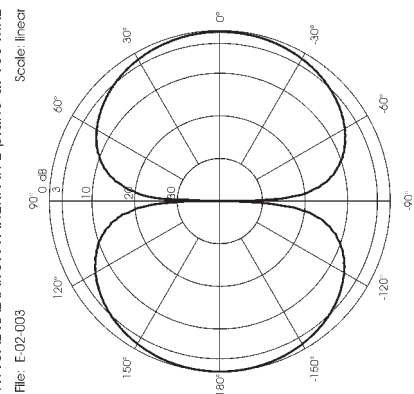
## DESCRIPTION

1/4 λ Ground Plane antenna for base station service working on 108-136 MHz by means of the tuning diagram enclosed. It is entirely made of non-corrosive aluminium and assembled on a strong die-cast base which allows an easy and safe installation assuring very good performances.

## SPECIFICATIONS

<b>Electrical Data</b>	
Type	: 1/4 λ Ground Plane
Frequency Range	: 108-136 MHz tunable by diagram
Impedance	: 50 Ω Unbalanced
Radiation (H-plane)	: 360° Omnidirectional
Radiation (E-plane)	: Beamwidth at -3 dB = 86°
Radiation angle deg.	: 0°
Polarization	: Vertical
Gain	: 0 dBd - 2.15 dBi
Bandwidth at V.S.W.R. 2:1	: 12 MHz at 108 MHz
V.S.W.R. at res. freq.	: ≤ 1.2 : 1
Max Power	: 500 Watts
Feed System / Position	: Direct / Center
Connection	: UHF Female
<b>Mechanical Data</b>	
Materials	: Aluminium, Chromed Brass, Nylon, Stainless Steel
Wind Load / Resistance	: 35 N at 150 Km/h / 150 Km/h
Wind Surface	: 0.03 m <sup>2</sup>
Height (approx.)	: 1185 mm
Weight (approx.)	: 565 gr
Radial Length (approx)	: 650 mm
Mounting Mast	: Ø 35-40 mm

TYPICAL RADIATION PATTERN in E-plane at 108 MHz



TYPICAL S.W.R. RESPONSE

